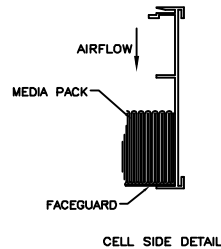
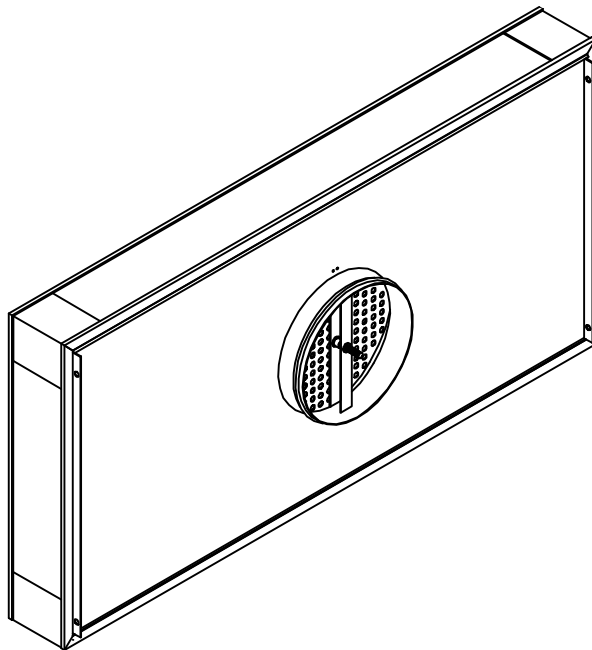


Construction Code	Actual Size (Inches) H x W x D	Rated Air Flow (CFM)	Initial Resistance (In. W.G.)	Inlet Collar Diameter (Inches)	Efficiency	Media Area (Square Feet)
CD24240L-0NP750W36	23-5/8 x 23-5/8 x 5	290	0.45"	10"	99.99% on 0.3 Micron	107
CD24480L-0NP750W36	23-5/8 x 47-5/8 x 5	620	0.45"	10"	99.99% on 0.3 Micron	215
CD24242L-0NP750W36	23-5/8 x 23-5/8 x 5	290	0.45"	12"	99.99% on 0.3 Micron	107
CD24482L-0NP750W36	23-5/8 x 47-5/8 x 5	620	0.45"	12"	99.99% on 0.3 Micron	215
CD24240L-0NP750W46	23-5/8 x 23-5/8 x 5	290	0.45"	10"	99.999% on 0.3 Micron	107
CD24480L-0NP750W46	23-5/8 x 47-5/8 x 5	620	0.45"	10"	99.999% on 0.3 Micron	215
CD24242L-0NP750W46	23-5/8 x 23-5/8 x 5	290	0.45"	12"	99.999% on 0.3 Micron	107
CD24482L-0NP750W46	23-5/8 x 47-5/8 x 5	620	0.45"	12"	99.999% on 0.3 Micron	215
CD24240L-0NP750WF6	23-5/8 x 23-5/8 x 5	290	0.60"	10"	99.9995% on 0.12 Micron	107
CD24480L-0NP750WF6	23-5/8 x 47-5/8 x 5	620	0.60"	10"	99.9995% on 0.12 Micron	215
CD24242L-0NP750WF6	23-5/8 x 23-5/8 x 5	290	0.60"	12"	99.9995% on 0.12 Micron	107
CD24482L-0NP750WF6	23-5/8 x 47-5/8 x 5	620	0.60"	12"	99.9995% on 0.12 Micron	215





**STANDARD CONSTRUCTION**

1. Micro-Glass Fiber Media with Acrylic Binder
2. Anodized Extruded Aluminum
3. Ducted Module Construction
4. No Gasket
5. Urethane Sealant
6. 2" Mini-Pleat Bead Pack

**NOTES**

1. Testing per IEST-RP-CC001
2. Product Individually Certified at Factory
3. Rated Velocity 90 FPM
4. Classified per UL Standard 900 for Flammability
5. Custom Sizes Not Available

	HVAC Filtration Division 100 River Ridge Circle Jeffersonville, IN 47130 P: 866-247-4827 F: 866-601-1809	<b>TOLERANCES UNLESS OTHERWISE SPECIFIED</b>		DRAWING NAME <b>PARKER MICROPLEAT DM</b>				
		FRACTIONAL — DECIMAL — ANGLES —	APPROVED BY 	SPECIFICATION NO. <b>MKT-B-00743</b>	PAGE <b>1 OF 1</b>	SCALE <b>NONE</b>		DWG. SIZE <b>A</b>
<b>CONTACT FACTORY TO VERIFY REVISION LEVEL</b>		<b>ALL DIMENSIONS IN INCHES</b>		<small>THIS MATERIAL IS PROPRIETARY, BEING EXCLUSIVELY OWNED BY PARKER HANNIFIN CORPORATION. THE EXPRESSION OF THE INFORMATION CONTAINED HEREIN IS PROTECTED UNDER FEDERAL COPYRIGHT LAWS. ALL RIGHTS RESERVED.</small>				